

# ELR Standard

## The World's Smartest Gun for Artificial Turf

The ELR is the world's Smartest electrical long range Gun designed specifically for artificial sports field irrigation.

### Features

#### Easy to Install

- Easy wet or dry electrical arc adjustment from 0 to 360° with the field transmitter.
- Part-circle and non-reversing full-circle operation in one unit to reduce inventory.
- An electrical adjusting motor does not need to be adjusted when different nozzles are installed.
- Built-in handle for easy moving.

#### Easy to Use

- Adjustable rotation speed from 2 min 10 sec per rotation to 90 sec per rotation.
- Constant rotation speed with any nozzle, at any pressure.

#### Anti-Vandalism & Safety

- A "Memory Arc®" allows the ELR to return to the original arc setting when it has been turned beyond the trip points of the set arc.
- An "Active Memory Arc®" closes the valve when it is turned out of the arc.
- Parking position engages automatically when ELR stops, avoiding problems when gun starts again.
- Obstacle detection prevents damage when the ELR is in operation.

#### Nozzles

- Main nozzles are interchangeable from the front without any specific tool.
- Nozzle outlet trajectory
  - Primary Nozzle for the longest radius: 23°.
  - Secondary Nozzle for close-in watering: 15°.
- Primary Nozzle range: 21mm, 23mm, 26mm, 28mm, 30mm, 33mm.



#### Programming

- Programmable with Radio Field Transmitter:
  - Up to 20 fields
  - Up to 15 ELRs per field
  - Up to 50 programs
- Type of programs: 3
  - Automatic mode
  - Manual mode
  - Key mode
- Programming schedule:
  - 7-day
  - Odd/Even (+/-31)
  - Cyclical
- 1 runtime per gun and per program.
- 1 ELR could be assigned to several fields with a different arc setting.
- Manual start with Field Transmitter (Manual mode) or an external contactor (Key mode).
- Stop function manually stops an irrigation cycle if needed.
- Station timing in seconds.
- Delay between station: from 1 second to 2 hours.
- Water Budget from 0 to 200%.
- Rain Delay from 1 to 90 days.
- Waterproof IP 68.
- Non-volatile Memory.
- Sensors input for dry contact type sensors.

#### Specifications

- Radius from 39,5 to 57,5 m
- Operating Pressure from 4 to 7 bars
- Operating Flow from 39,5 to 115 m<sup>3</sup>/h
- Inlet: Threaded 3"

#### Electrical Specifications

- Operating Temperature: 0° to 50°C
- Storage Temperature: -20° to 50°C
- Supply: 24Vac
- Valve Output: 24Vac
- Inrush current: 16Vac
- Nominal Power: 12Vac

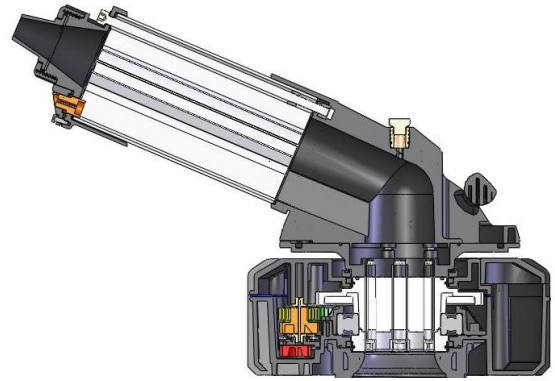
#### Models

- ELR Standard model
- ELR Field Transmitter
- ELR 24Vac supply
- ELR MV module

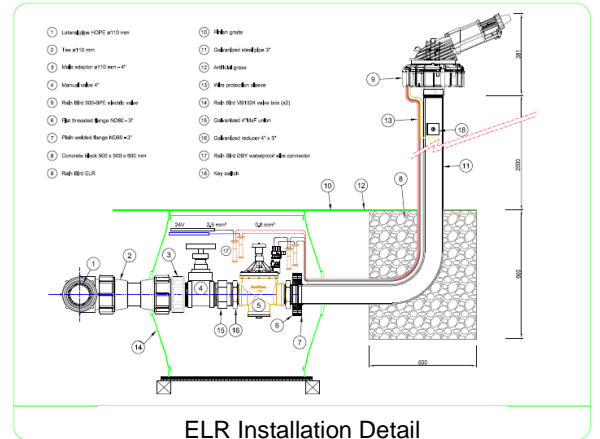


## PERFORMANCES ELR Standard

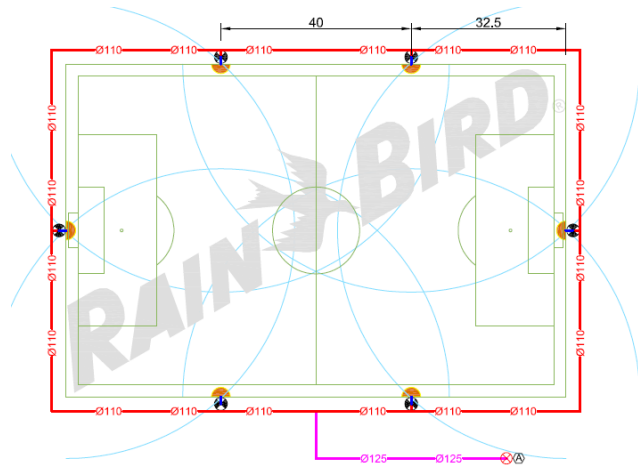
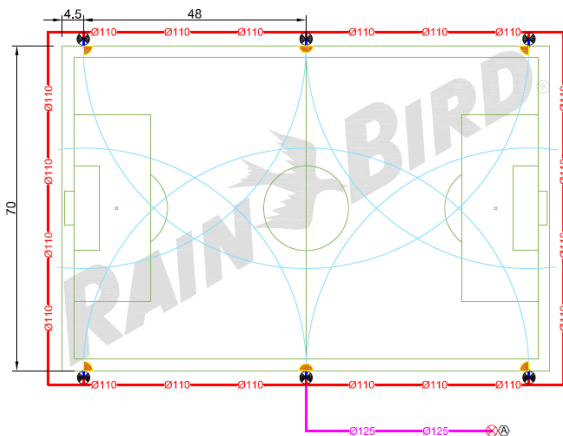
Nozzles	Pressure (Bar)	Radius (m)	Flow (m <sup>3</sup> /h)
21 mm	4	39,5	39,6
	5	43,0	41,3
	6	45,0	45,0
	7	47,0	48,5
23 mm	4	42,0	44,3
	5	48,5	48,6
	6	49,0	54,0
	7	49,5	57,3
26 mm	4	44,5	56,0
	5	49,5	61,3
	6	51,0	68,9
	7	54,0	72,3
28 mm	4	46,0	63,0
	5	51,0	70,5
	6	53,5	77,0
	7	56,0	83,0
30 mm	4	48,0	73,0
	5	54,5	81,0
	6	56,0	89,0
	7	56,5	96,0
33 mm	4	50,5	86,5
	5	52,0	97,0
	6	55,5	105,0
	7	57,5	114,5



ELR Standard Cutaway



ELR Installation Detail



ELR Typical Designs

## ELR Field Transmitter

Radio Transmission to ELRs: You program the field transmitter just as you would any controller. Then you transmit the program via radio to ELRs.

### Features

#### Easy to Use

- Radio frequency (869 MHz) does not require any licence.
- Radio Field transmitter allows the following remotely:
  - Arc adjustment
  - Rotation speed adjustment
  - Parking position adjustment
  - Field Management
  - Program Management
  - Manual start

#### User-Friendly

- Ergonomic and compact design.
- A large dot matrix LCD screen with menus and graphics is easy to understand.
- LCD displays information as any cellular phone.

#### Programming

- Programmable with Radio Field Transmitter:
  - Up to 20 fields
  - Up to 15 ELRs per field
  - Up to 50 programs
- Type of programs: 3
  - Automatic mode
  - Manual mode
  - Key mode

- Programming schedule:
  - 7-day
  - Odd/Even (+/-31)
  - Cyclical
- 1 runtime per gun and per program.
- 1 ELR could be assigned to several fields with a different arc setting.
- Manual start with Field Transmitter (Manual mode).
- Stop function manually stops an irrigation cycle if needed.
- Station timing in seconds.
- Delay between station: from 1 second to 2 hours.
- Water Budget from 0 to 200%.
- Rain Delay from 1 to 90 days.
- Waterproof IP 54.
- Non-volatile Memory.

#### Electrical Specifications

- Operating Temp: 0° to 50°C
- Storage Temp: -20° to 50°C
- Supply: 9V

#### Dimensions

- Height: 146 mm
- Width: 58 mm
- Depth: 36 mm



#### Model

- ELR Field Transmitter

## The Intelligent Use of Water™

---

At Rain Bird®, we believe it is our responsibility to develop products and technologies that use water efficiently. Our commitment also extends to education, training and services for our industry and our communities. The need to conserve water has never been greater.

We want to do even more, and with your help, we can. Visit [www.rainbird.eu](http://www.rainbird.eu) for more information about The Intelligent Use of Water™.



### **Rain Bird Europe SNC**

900, rue Ampère,  
B.P. 72000  
13792 Aix-en-Provence Cedex 3  
FRANCE  
Phone: (33) 4 42 24 44 61  
Fax: (33) 4 42 24 24 72  
[rbe@rainbird.fr](mailto:rbe@rainbird.fr)

### **Rain Bird Ibérica S.A.**

Pol. Ind. Prado del Espino  
C/Forjadores, nº12  
28660 Boadilla del Monte - Madrid  
ESPAÑA  
Phone: (34) 916 324 810  
Fax: (34) 916 324 645  
[rbib@rainbird.fr](mailto:rbib@rainbird.fr)

### **Rain Bird France SNC**

900, rue Ampère  
B.P. 72000  
13792 Aix-en-Provence Cedex 3  
FRANCE  
Phone: (33) 4 42 24 44 61  
Fax: (33) 4 42 24 24 72  
[rbf@rainbird.fr](mailto:rbf@rainbird.fr)

### **Rain Bird Deutschland GmbH**

Oberjesinger Str. 53  
71083 Herrenberg-Kuppingen  
DEUTSCHLAND  
Phone: (49) 07032 9901 0  
Fax: (49) 07032 9901 11  
[rbd@rainbird.fr](mailto:rbd@rainbird.fr)

### **Rain Bird Turkey**

İstiklal Mahallesi  
Alemdağ Caddesi, N° 262  
81240 Ümraniye İstanbul  
TURKEY  
Phone: (90) 216 443 75 23  
Fax: (90) 216 461 74 52  
[rbt@rainbird.fr](mailto:rbt@rainbird.fr)

### **Rain Bird Sverige AB**

Fleningevägen 315  
260 35 Ödakra  
SWEDEN  
Phone: (46) 042 25 04 80  
Fax: (46) 042 20 40 65  
[rbs@rainbird.fr](mailto:rbs@rainbird.fr)